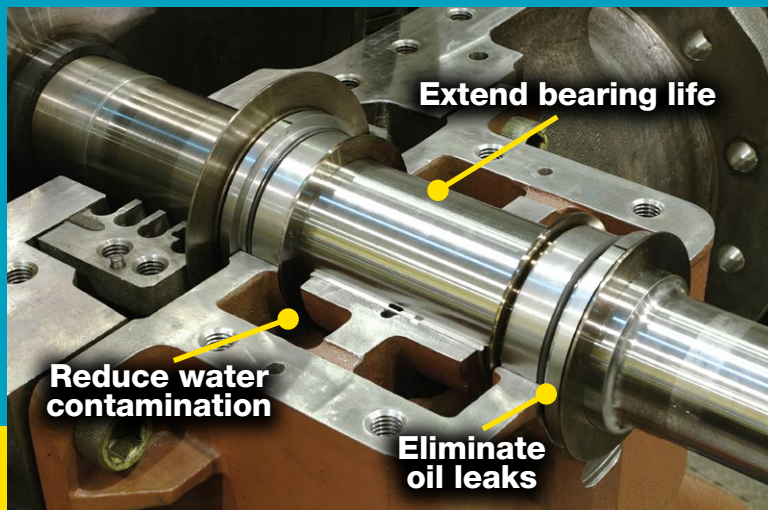


Protect your YR turbine bearings & get 20% off!



Save 20% on EBI orders received by March 31, 2010

Smart maintenance professionals choose the Elliott Bearing Isolator (EBI) to protect their YR turbine bearings.

- Designed by Elliott, a steam turbine leader for 100 years
- Designed with no wearing parts, unlike the O-rings others use
- Designed to compensate for turbine thermal expansion

Call Elliott Service Parts at 888-352-7278 to place your order and to learn more about other valuable upgrades from Elliott.

Companies around the world turn to Elliott to lower their turbomachinery life-cycle costs.



info@elliott-turbo.com
www.elliott-turbo.com