

Industrial PRV Replacement

Elliott offers industrial steam users a simple yet effective solution to reduce operational costs while at the same time, increasing energy independence. Advances in technology now allow consumers to produce efficient, safe electricity as a by-product of their daily steam processes.

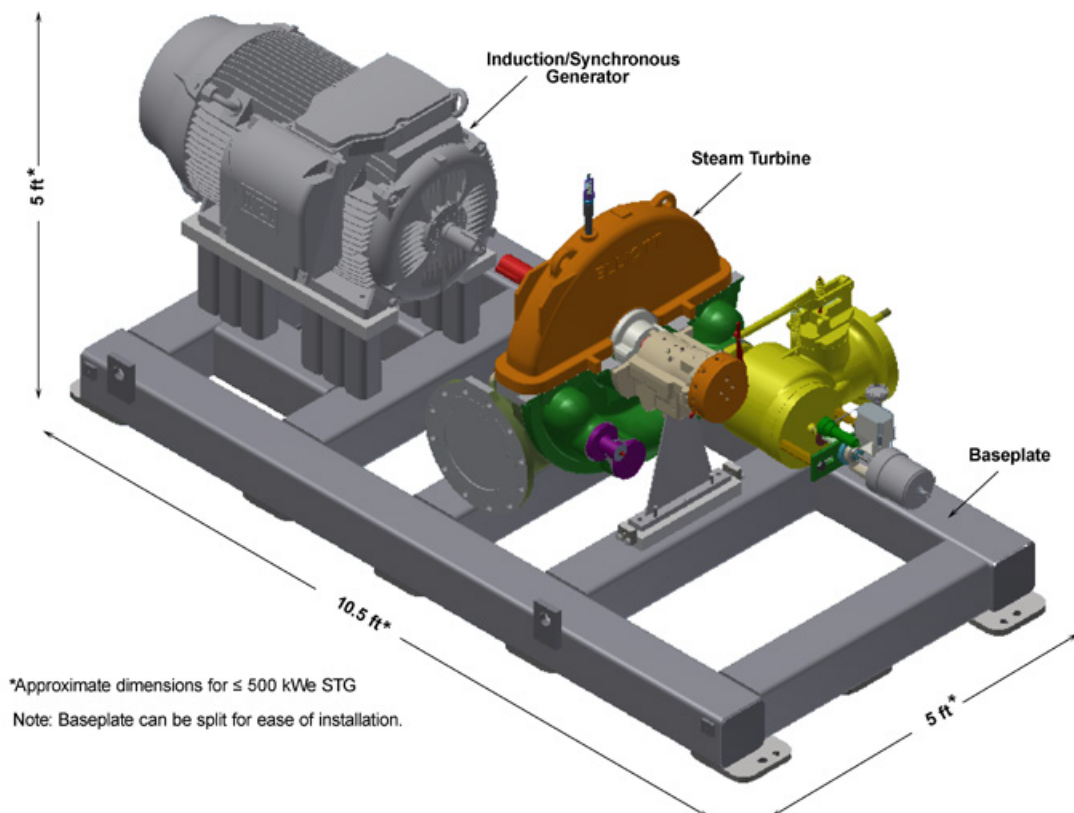
This advancement is possible due to the way that most steam systems work. Many industrial complexes produce steam at pressures higher than required for actual process needs; in these cases, a pressure reducing valve (PRV) is used to drop the steam pressure to a desired level. While the PRV effectively reduces steam pressure, it also wastes valuable energy.



Elliott's low-cost, state-of-the-art steam turbine generator (STG) sets allow consumers to capture this wasted energy by placing the STG in parallel with an existing PRV. This allows generation of valuable on-site electricity and also reduces steam pressure to the required level, saving money and increasing overall system efficiency.

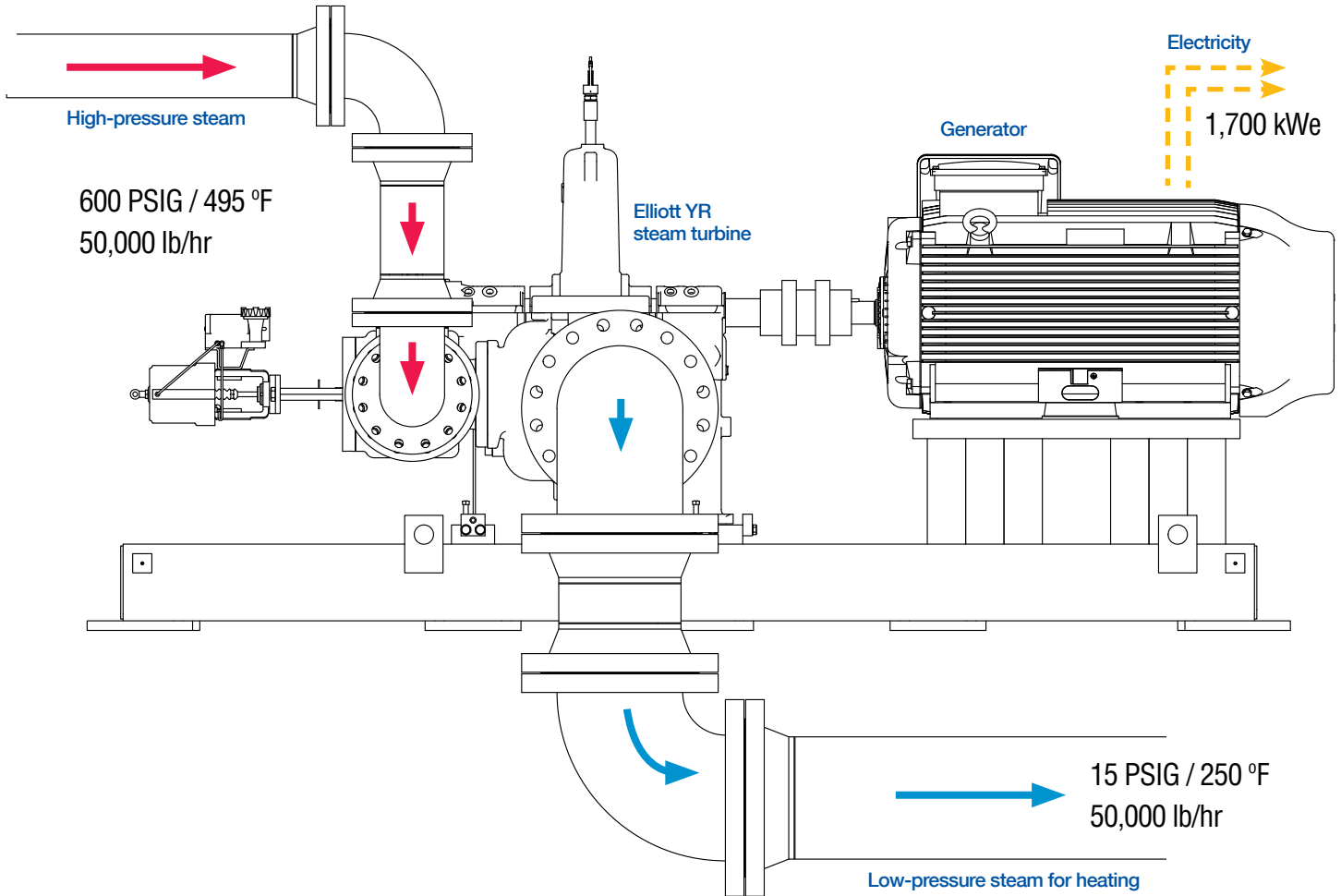
Reliable Power Supply

Elliott's STGs come fully packaged and ready for installation into your operation. With plug-and-play functionality and a design life of 20+ years, more than 35,000 Elliott steam turbines have been sold around the world. Standard scope of supply includes the turbine, generator, gearbox (if needed), control system, lubrication system (if needed), and the baseplate.



Power to Match Your Needs

Elliott works with each customer to select the right turbine generator for the job. Our extraordinarily reliable YR steam turbine product line is specifically designed to produce power for customers connected to district heating who are looking to replace a PRV. Tens of thousands of Elliott YR steam turbines are on the job around the world, driving generators, pumps, compressors, fans, blowers and other machinery. Our capabilities include the design and manufacture of STGs ranging from 100 kWe to 50,000 kWe. The diagram below illustrates the potential to deliver additional electricity to your facility by replacing a PRV with an STG while still maintaining the required heating capabilities.



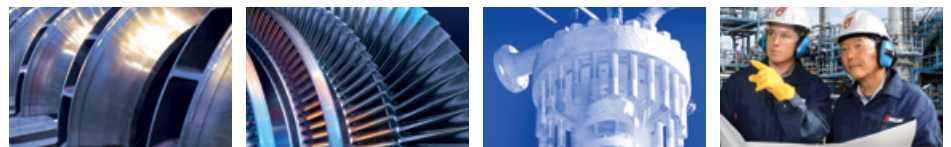
The World Turns to Elliott

For more than 100 years, Elliott has been synonymous with innovative engineering, highly reliable products and unwavering commitment to customer satisfaction. At our engineering and manufacturing centers in Jeannette, Pennsylvania, and Sodegaura Japan, we produce efficient and reliable steam turbines, power recovery expanders, and centrifugal and axial compressors. Elliott's global network of full-service repair centers, field service teams, and sales and support offices extends support throughout North and South America, Europe, the Middle East and Asia.



901 North Fourth Street
Jeannette, PA 15644-1473
Phone: 724-527-2811
Fax: 724-600-8442
Email: info@elliott-turbo.com
www.elliott-turbo.com

T H E W O R L D T U R N S T O E L L I O T T



COMPRESSORS ■ TURBINES ■ CRYODYNAMICS ■ GLOBAL SERVICE