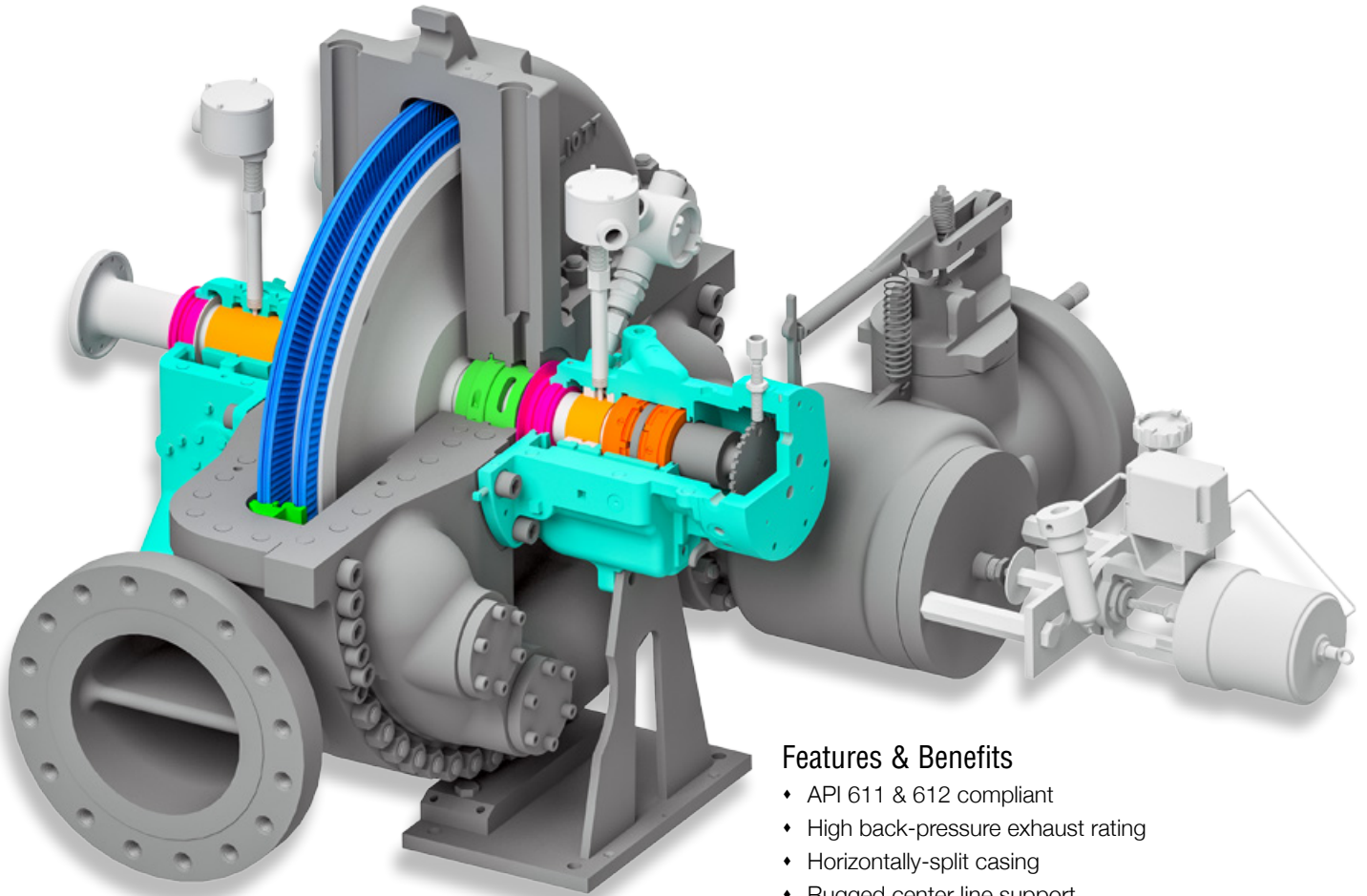




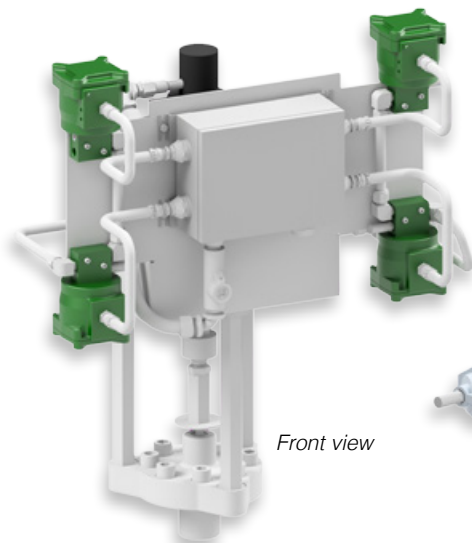
DYRHH STEAM TURBINE

High back-pressure, large frame single-stage steam turbine

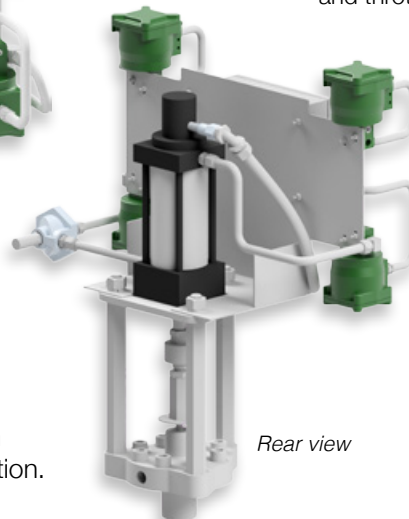


Features & Benefits

- API 611 & 612 compliant
- High back-pressure exhaust rating
- Horizontally-split casing
- Rugged center line support
- Brush / labyrinth gland seals
- Carbon steel or low alloy steel casing
- Pneumatic governor valve actuator
- Available trip systems include mechanical trip (above), direct-connected pneumatic trip (left), or separate trip and throttle valve (not shown)



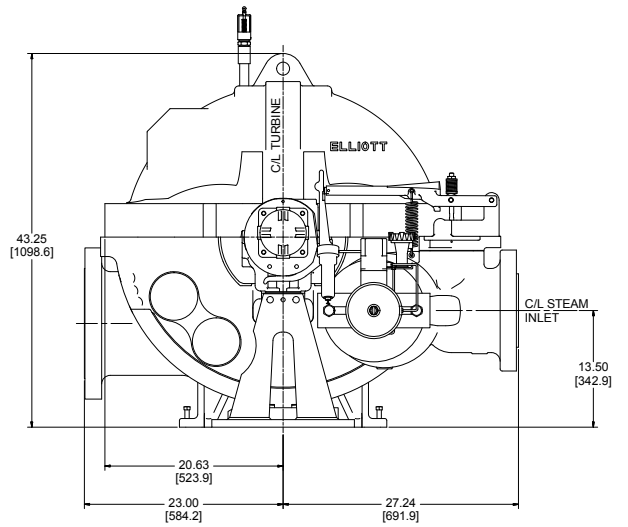
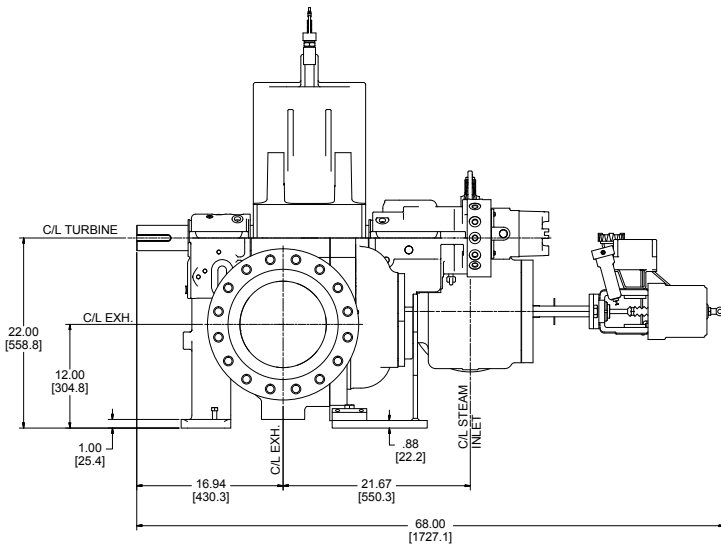
Front view



Rear view

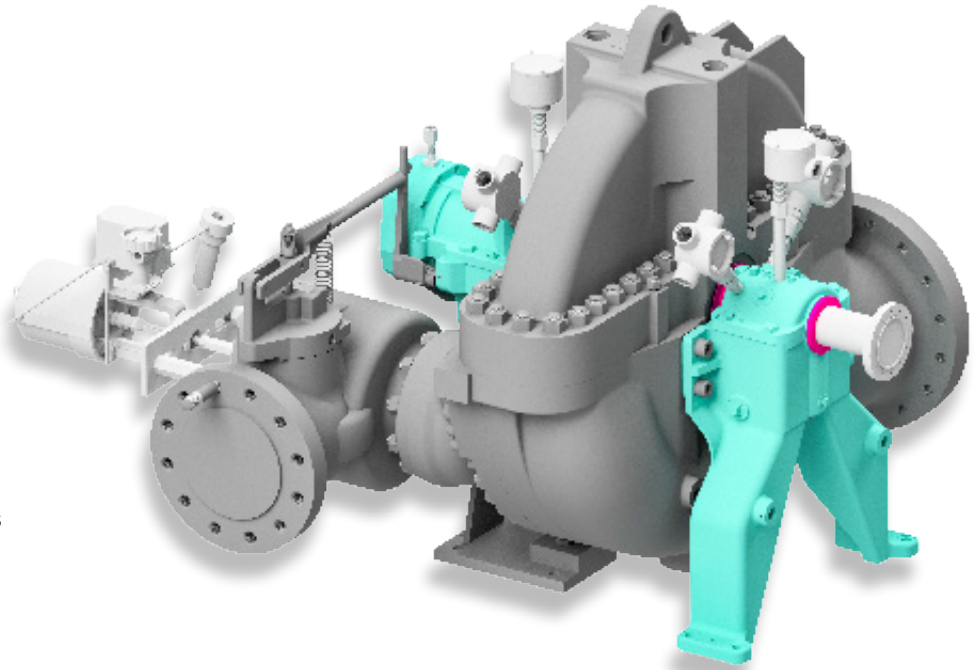
Direct-connected pneumatic trip system shown with optional partial stroke actuation.

Elliott YR turbines are superbly-engineered, rugged and reliable pieces of precision turbomachinery found in many applications such as driving pumps, compressors, fans, blowers, generators, sugar mill tandems, cane shredders, paper mill line shafts and many other applications.



Application Range & Data:

Power	5,700 hp / 4,250 kW
Speed	7,000 rpm
Inlet Pressure	900 psig / 62 barg
Inlet Temperature	900 F / 482 C
Exhaust Pressure	350 psig / 24 barg
Inlet Size	3", 4", 6", 8" – 600# 4", 6" – 900#
Exhaust Size	10" – 300#
Weight	3,800 lbs / 1,723 kgs



901 North Fourth Street
Jeannette, PA 15644-1473
Phone: 724-527-2811
Fax: 724-600-8442
Email: info@elliott-turbo.com
www.elliott-turbo.com/turbines

T H E W O R L D T U R N S T O E L L I O T T



COMPRESSORS ■ TURBINES ■ GLOBAL SERVICE